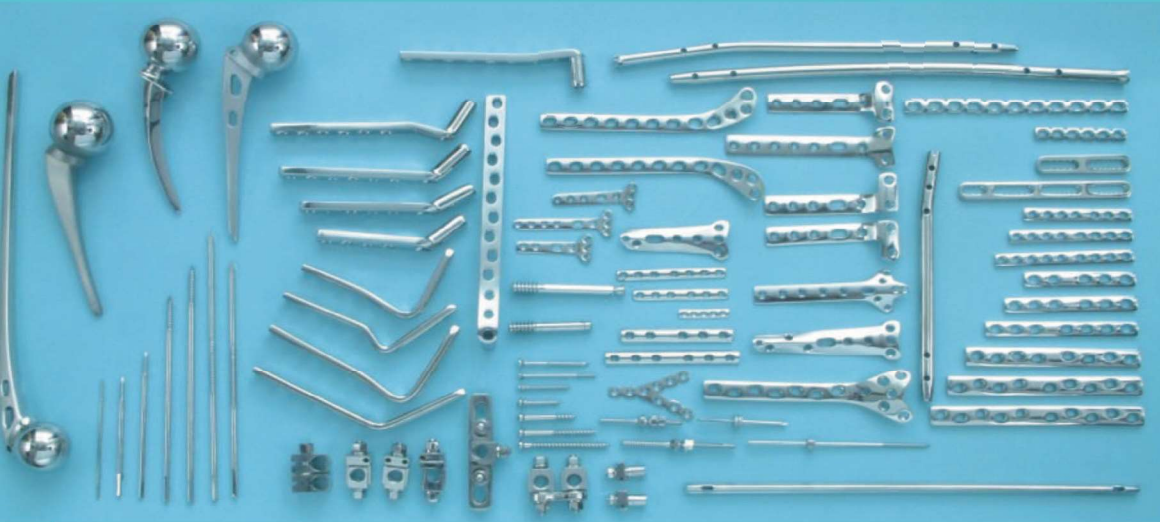




www.orthocare.in | www.orthoimplants.com



FROM WHEELS TO HEELS



MANUFACTURER OF IMPLANTS & INSTRUMENTS FOR FRACTURE TREATMENTS

Locking Plates | Interlocking Nails | External Fixator's | Spinal Implants & Instruments
Hip Prosthesis | Bipolar Modular Total Hip Replacement | Battery Operated Drill & Saw

FIXATOR SYSTEM



ISO 13485 : 2003 Certified
Mfg. License No.: 05/SC/P of 2011



ORTHO CARE

H.O. : 3/10, KIRTI NAGAR INDUSTRIAL AREA, NEW DELHI - 110 015, INDIA
PHONE : +91-11-41424511, 41424522, 45092044 FAX : +91-11-47510708
EMAIL : orthocare@vsnl.com WEB : www.orthoimplants.com
FACTORY : A-31, SECTOR A-4, TRONICA CITY LONI, GHAZIABAD (U.P.) INDIA

INDIAN
FDA
APPROVED

RAIL FIXATOR



Rail	Length	Cat. No.
	240 mm	R-1091.16
	300 mm	R-1091.17
	400 mm	R-1091.18



Central Clamp Cat. No. R-1091.19



End Clamp Cat. No. R-1091.20



Swivel Clamp Cat. No. R-1091.21



Ball & Socket Clamp Standard Cat. No. R-1091.22



T-Ball & Socket Clamp Cat. No. R-1091.23



CD Unit Length Cat. No.
40 mm R-1091.24
80 mm R-1091.25



Graduated Swivel Clamp Cat. No. R-1091.26



T-Clamp Cat. No. R-1091.27

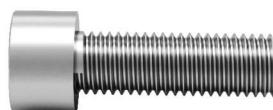
- R-1091.00 Instruments for Rail Fixation System
- R-1091.01 Trocar
- R-1091.02 Drill Bit 3.2 x 200mm
- R-1091.03 Drill Bit 4.5 x 200mm
- R-1091.04 Drill Bit 4.8 x 200mm
- R-1091.05 Template for end clamp & central clamp
- R-1091.06 Template for Swivel clamp
- R-1091.07 Drill Guide 6 x 3.2 x 40
- R-1091.08 Drill Guide 6 x 3.2 x 80
- R-1091.09 Drill Guide 6 x 5 x 40
- R-1091.10 Drill Guide 6 x 5 x 80
- R-1091.11 Drill Guide 5 x 2 x 43
- R-1091.12 Drill Guide 5 x 2 x 83
- R-1091.13 Screw Guide 8 x 6 x 60mm
- R-1091.14 Screw Guide 8 x 6 x 100mm



Metaphyseal Clamp Cat. No. R-1091.28



Sandwich Plate Cat. No. R-1091.29



Bolt for Sandwich Plate Cat. No. R-1091.30

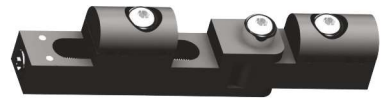


Dyna Ring Clamp Cat. No. R-1091.31

RAIL FIXATOR



**Mini Rail
Finger
Distractor
(Type-1)** **Cat. No.**
R-1091.32



**Mini Rail
Finger
Distractor
(Type-2)** **Cat. No.**
R-1091.34



**Mini Rail
Finger
Distractor
(Type-3)** **Cat. No.**
R-1091.35



**End
Clamp** **Cat. No.**
R-1091.33



LRS **Cat. No.**
R-1091.36



**Petrochanreric
Fixator** **Cat. No.**
R-1091.37

DYNAMIC EXTERNAL FIXATOR



Dynamic External Fixator	SIZE	Cat. No.
	SMALL	D-1100.08
	MEDIUM	D-1100.09
	LARGE	D-1100.10



Self Adjusting Clamp	SIZE	Cat. No.
	SMALL	D-1100.11
	MEDIUM	D-1100.12
	LARGE	D-1100.13



T-End Clamp	Cat. No.
	D-1100.14



Elbow Clamp	Cat. No.
	D-1100.15



Linear Dynamic	SIZE	Cat. No.
	SMALL	D-1100.16
	MEDIUM	D-1100.17
	LARGE	D-1100.18

D-1100.00 Instruments for Dynamic External Fixation System

- D-1100.01 Screw Guide 8 x 6 x 60mm
- D-1100.02 Screw Guide 8 x 6 x 100mm
- D-1100.03 Drill Guide 6 x 3.2 x 40
- D-1100.04 Drill Guide 6 x 3.2 x 80
- D-1100.05 Drill Guide 6 x 5 x 40
- D-1100.06 Drill Guide 6 x 5 x 80
- D-1100.07 Allen Key 6mm



Dynamic Wrist Fixator	Cat. No.
	D-1100.19

INSTRUMENTS FOR DISTAL RADIUS EXTERNAL FIXATOR SYSTEM

- D-1100.21 Distal Radius External Fixator
- D-1100.22 Distal Radius External External Instrumentation Set
- D-1100.23 Jig for Fixator
- D-1100.24 Half Pin Introducer for 4 mm
- D-1100.25 Trocar for Fixator
- D-1100.26 Drill Sleeve for Fixator
- D-1100.27 Screw Guide for Fixator
- D-1100.28 Drill Bit 2.5mm
- D-1100.29 Allen Key Universal
- D-1100.30 Container for Distal Radius Fixator Instrument Set



Distal Radius Fixator	Cat. No.
	D-1100.20

DYNAMIC EXTERNAL FIXATOR



Dynamic Ankle Fixator

Cat. No.
D-1100.31



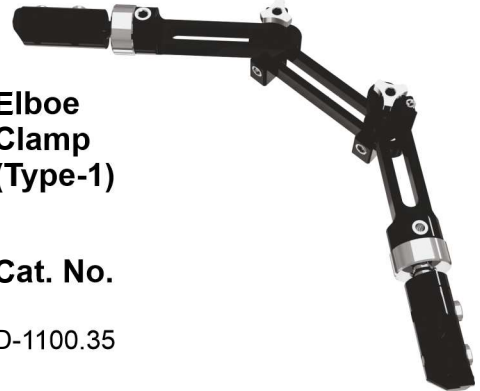
Dynamic External Fixator (Type-2)

Cat. No.
D-1100.32



Dynamic Wrist Fixator

Cat. No.
D-1100.33



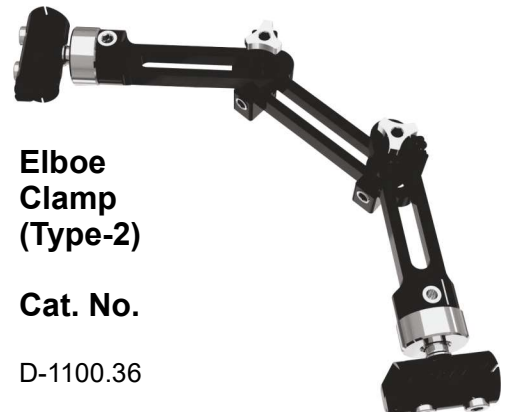
Elbow Clamp (Type-1)

Cat. No.
D-1100.35



Dynamic Wrist Fixator (Type-2)

Cat. No.
D-1100.34



Elbow Clamp (Type-2)

Cat. No.
D-1100.36

PEDIATRIC RAIL SYSTEM



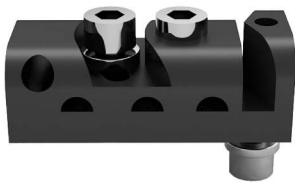
Rail	Length	Cat. No.
	150 mm	P-1200.08
	200 mm	P-1200.09
	250 mm	P-1200.10



Central Clamp Cat. No. P-1200.11



End Clamp Cat. No. P-1200.12



Swivel Clamp Cat. No. P-1200.13



CD Unit Cat. No. P-1200.14



T-Clamp Cat. No. P-1200.15

- P-1200.00 Instruments for Pediatric External Fixator
Contents:-
- P-1200.01 Screw Guide 8 x 6 x 60mm
 - P-1200.02 Drill Guide 6 x 3.2 x 40
 - P-1200.03 Drill Bit 3.2 x 200mm
 - P-1200.04 Half Pin Introducer D Type
 - P-1200.05 Allen Key 5 mm
 - P-1200.06 Templates for pediatric end and central clamp
 - P-1200.07 Templates for pediatric swivel clamp



T-Ball & Socket Clamp Cat. No. P-1200.15

HOFFMANN FIXATOR



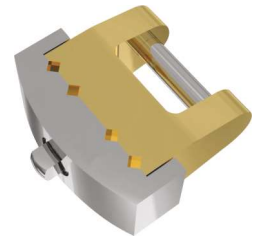
**Hoffmann Type
Rod to Rod
Clamp**

Cat. No.
D-1100.31



**Hoffmann Type-5
Hole Pin Clamp**

Cat. No.
D-1100.32



**Hoffmann Type-5
Hole Pin Clamp
(Type-2)**

Cat. No.
D-1100.33



**Mono L
Lamp**

Cat. No.
D-1100.34



**Mono Z
Lamp**

Cat. No.
D-1100.35



**Round
Clamp
(Big)**

Cat. No.
D-1100.36



**Round
Clamp
(Small)**

Cat. No.
D-1100.37

INDFIX EXTERNAL FIXATOR



**INDFIX clamp
for schanz
screw**

Cat. No.

659-AL



**Schanz screw dia
4.5mmX150mmX32mm
thread**

Cat. No.

673.147



**INDFIX connecting
rod dia 8.0mmX
350mm**

Cat. No.

671-08-350



**INDFIX connecting
rod dia 8.0mmX
300mm**

Cat. No.

671-08-300



**Connecting
rod dia. 4.0mmX
150mm**

Cat. No.

679.02

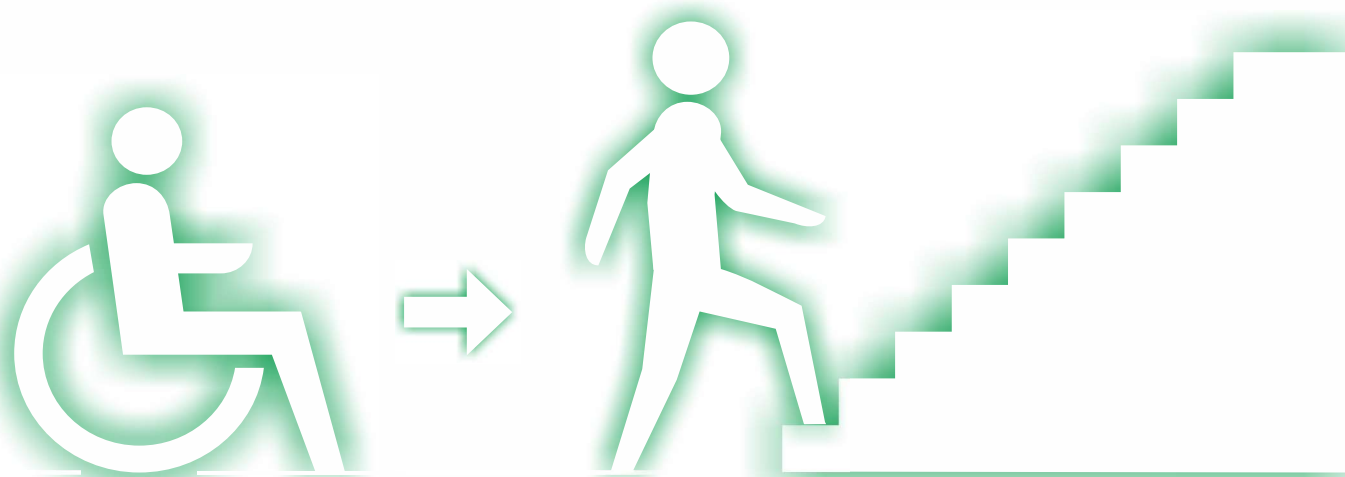


Spanner 10mm

Cat. No.

666.10

www.orthocare.in
www.orthoimplants.com



FROM **WHEELS** TO **HEELS**

ORTHO CARE

H.O.: 3/10 Kirti Nagar Industrial Area, New Delhi - 110015, INDIA
Phone : +91- 9810038246 | +91-11-41424511 | 41424522
E-mail : orthocareindia2009@gmail.com | Web : www.orthocare.in
Factory : A-31, Sector A-4, Tronica City Loni, Ghaziabad (U.P.) INDIA

USFDA 510K CLEARED PRODUCTS
CE 1023 CERTIFIED PRODUCTS
ISO 13485:2016 CERTIFICATION
LICENSE NO. MFG/MD/2021/000347